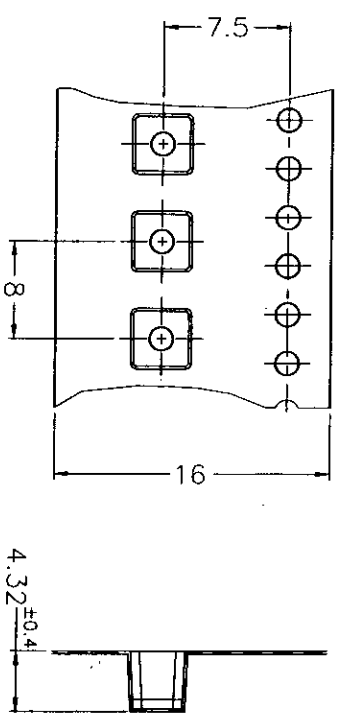
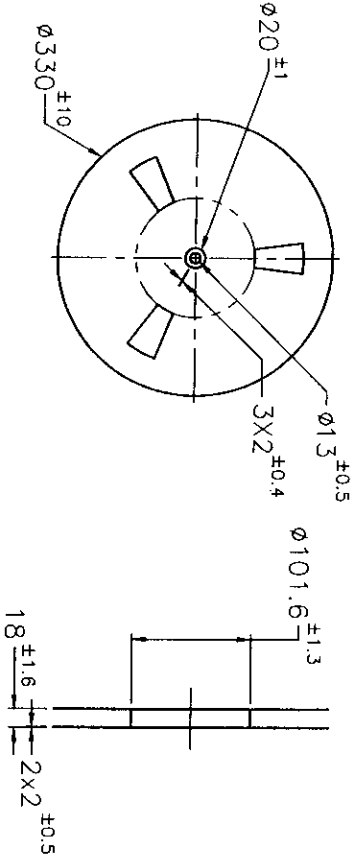
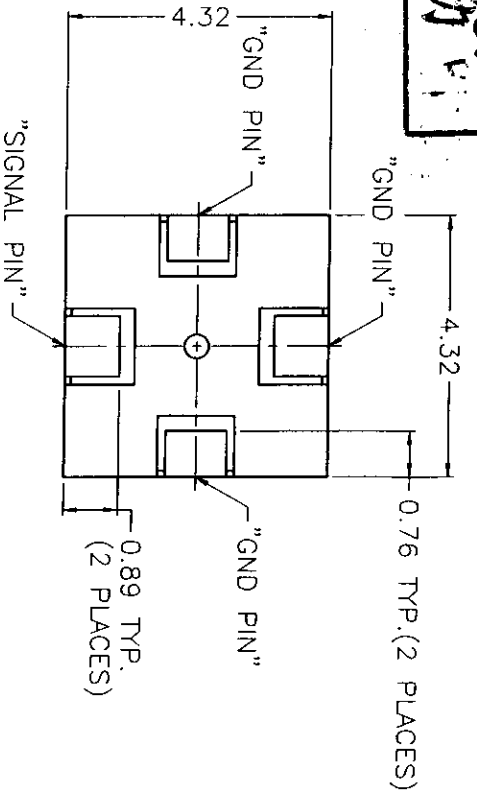
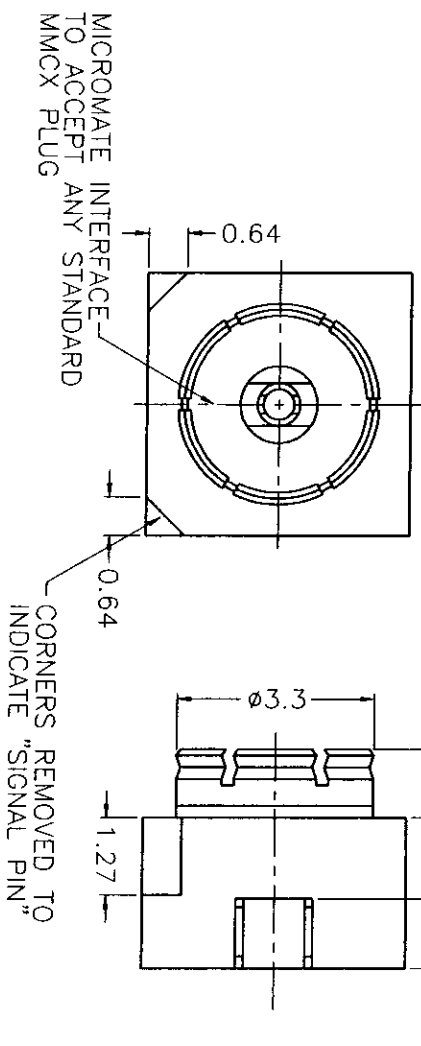


ISS	ZONE	DESCRIPTION\PER REQUEST\DATE

業務部



88.7.21
R & D

- NOTES: FINISH (PLATING THICKNESS IN MICRO-INCHES)
1. GOLD PL. 3 MIN. THICK OVER NICKEL PL. 100 MIN. THICK
 2. BERYLLIUM COPPER STRIKE OVER COPPER STRIKE
 3. GOLD PL. 30 MIN. THICK OVER NICKEL PL. 100 MIN. THICK
 4. LIQUID CRYSTAL POLYMER

DIMENSIONS ARE IN MILLIMETERS
UNLESS OTHERWISE SPECIFIED

TOLERANCES

- 0.5-6 = ±0.2
- 6-30 = ±0.4
- 30-120 = ±0.6
- 120-315 = ±1
- 315-1000 = ±1.6
- 1000-2000 = ±2.4

NO.	DESCRIPTION	MATERIAL	FINISH	Q'TY	DRAWING NO.
3	HOUSING(SMT)	NOTE 4	BLACK		
2	CONTACT PIN	NOTE 2	NOTE 3		
1	BODY	NOTE 2	NOTE 1		

SCALE	8/1	ISSUE	A

PART NO.	APPROVED	DATE
	<i>Tony G</i>	07-20-99
CHECKED	DATE	
<i>Tony G</i>	07-20-99	
DRAWN	DATE	
<i>Nolin</i>	07-20-99	

TITLE	DRAWING NO.	FILE NO.
MMCX SURFACE MOUNT JACK	OS-908-22101T	F:\DWG\OS\908\22101T\00

KAI JACK INDUSTRIAL CO., LTD.
TAINAN TAIWAN R.O.C.

888R-004